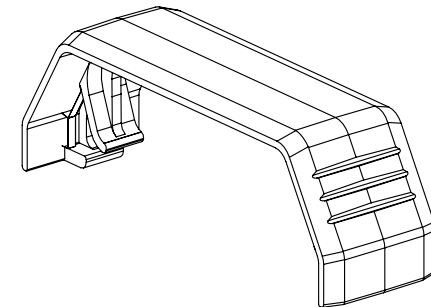
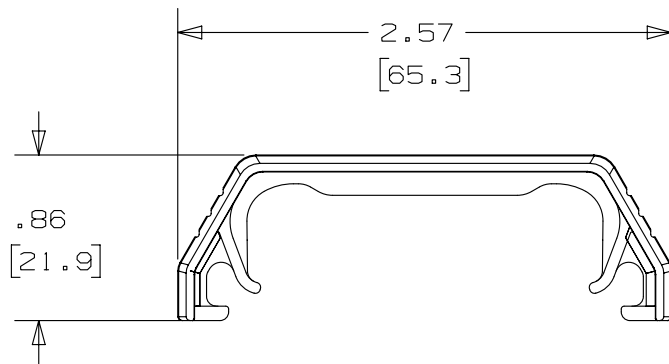
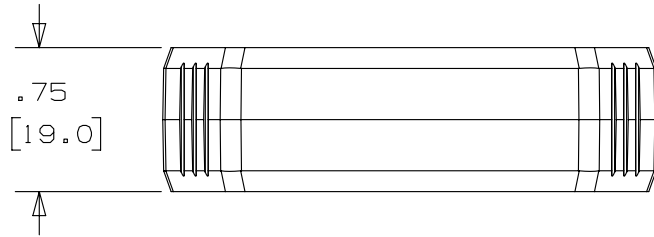


THIS COPY IS PROVIDED ON A RESTRICTED BASIS AND IS NOT TO BE USED IN ANY WAY DETRIMENTAL TO THE INTERESTS OF PANDUIT CORP.

PANDUIT P/N	WEIGHT
T45CC	.12 LB/10 PCS 55 g/10 PCS

NOTES:

1. THIS FITTING IS TO LATCH ONTO THE T45 BASE.
2. THIS FITTING IS INTENDED TO OVERLAP BOTH T45 COVERS.
3. DIMENSIONS IN PARENTHESES ARE IN METRIC.
4. SEE CURRENT CATALOG FOR ADDITIONAL PART SUFFIXES TO INDICATE COLOR AND OR PACKAGE QUANTITY.



REV	DATE	BY	CHK	APR	DESCRIPTION	ECN
1	04-08-13	JBN	RTFI	RTFI	A. UPDATED DRAWING BORDER & TITLE BLOCK	37298-02
R	09-01-99	RABO	RCRO	HIW	RELEASED TO PRODUCTION	37298-02

TITLE		T-45 COVER COUPLER FITTING T45CC		
ITEM REVISION NAME		CUSTOMER DRAWING		
DATASET FILE NAME		D37295BB/09		
DATASET FILE NAME		D37295BB_DC_T45CC/09B		
UNLESS OTHERWISE SPECIFIED, DIMENSIONAL TOLERANCES ARE: IN [ mm ]		MATERIAL:		
.X ± .xxx ± .XX ± .03 [ .8 ]		PVC		
ANGLES ±		DRAWING NUMBER:		
THIRD ANGLE PROJECTION		37298-02		
DRAWN BY	DATE	CHK	SCALE	SIZE
RABO	09-01-99	RCRO	NONE	A
SHT 1 OF 1				

D10100DA/15